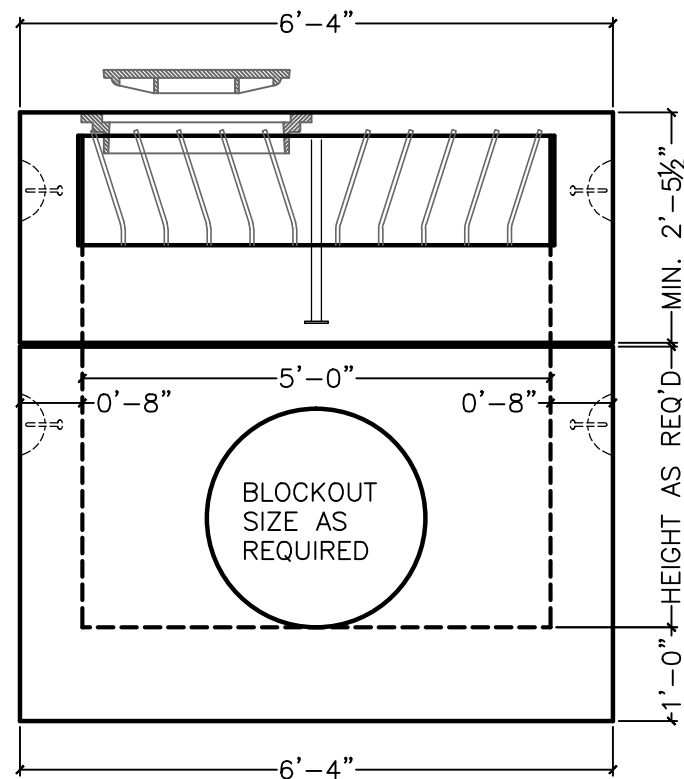


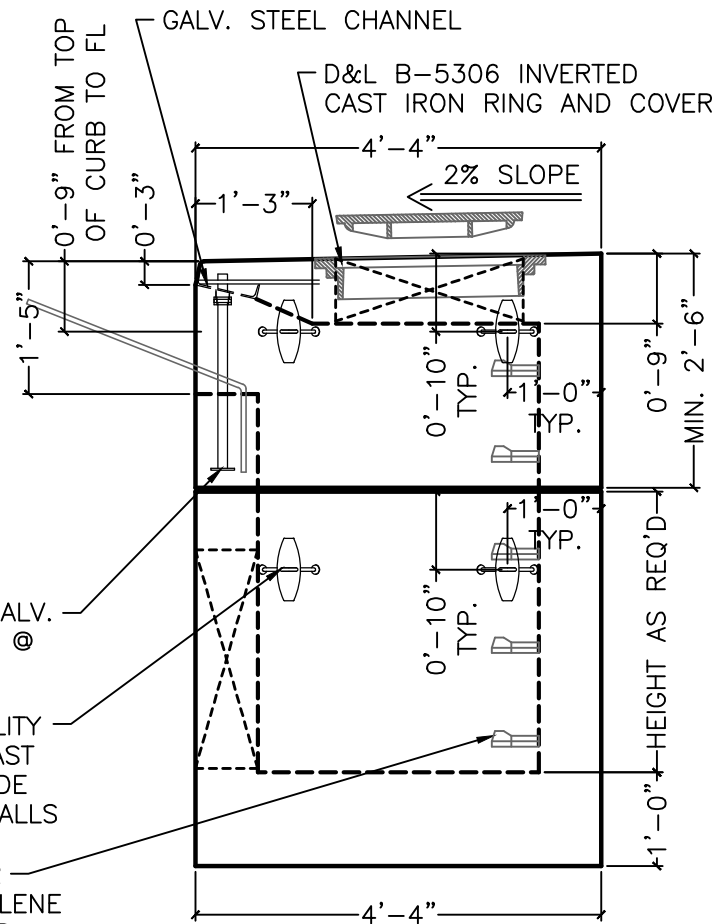
PLAN VIEW



FRONT VIEW

tolerance :
 reinforcement : edge clearance = $\pm \frac{3}{8}$ "
 spacing = ± 1 "
 blockouts : QC to verify with engineering when
 blockouts float

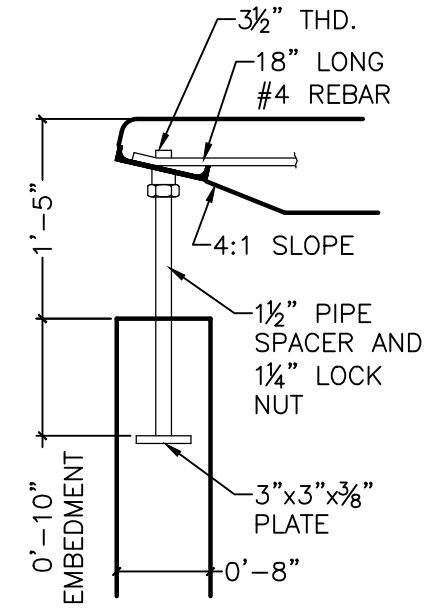
AASHTO HS-20 w/impact
 concrete weight = 150 pcf
 (normal weight)
 concrete strength = 4,000 psi
 steel strength = 60,000 psi
 grade 60 A706



SIDE VIEW

1/4" x 24" GALV.
 STEEL ROD @
 2'-6" O.C.
 4-TON UTILITY
 ANCHOR CAST
 INTO OUTSIDE
 FACE OF WALLS
 COPOLYMER
 POLYPROPYLENE
 ML-13-NCR
 STEPS W/ GRADE
 60 STEEL @ 12" O.C.

PART NO.	DESCRIPTION	QTY.
CIB5306R	D&L B-5306 INVERTED RING	1
CIA1043CSTAX	D&L A-1043 COVER "STORM" XH APH	1
STEPDRILL	AMERICAN STEP ML-13-NCR STEPS	5
ANCHU4	4-TON UTILITY ANCHOR #6UA444	8



BOLT DETAIL

WEIGHT / CONCRETE:
 TOP: 2'-6" I.D. HEIGHT: 5,252 LBS / 1.30 CY
 BASE: 3'-0" I.D. HEIGHT: 9,717 LBS / 2.40 CY
 EACH ADD'L FT: 1,867 LBS / 0.46 CY

SEE SHEETS 2 FOR REINFORCEMENT



REINFORCEMENT: (EPOXY COATED)

LID:

SHORT: #5 L-BAR @ 5 1/2" O.C., 2" OFF BOTTOM OF LID
 LONG: #4 U-BAR @ 8" O.C. BELOW SHORT

(2) ADD'L #6 REBAR HOOPS WITH MIN 12" LAP SPLICE AROUND ACCESS IN LID

UPPER WALLS:

BACK LONG WALL:

VERTICAL: (6) #5 L-BAR @ 5 1/2" O.C. AND (3) #4 BAR @ 11" O.C., 3" CLEAR OF INSIDE FACE OF WALL.
 HORIZONTAL: #4 @ 9" O.C. ON OUTSIDE OF VERTICAL

FRONT LONG WALL:

VERTICAL: #5 REBAR @ 5 1/2" O.C. 3" CLEAR OF INSIDE WALL AND (10) BENT BARS.
 HORIZONTAL: #4 @ 9" O.C. ON OUTSIDE OF VERTICAL

SHORT WALL:

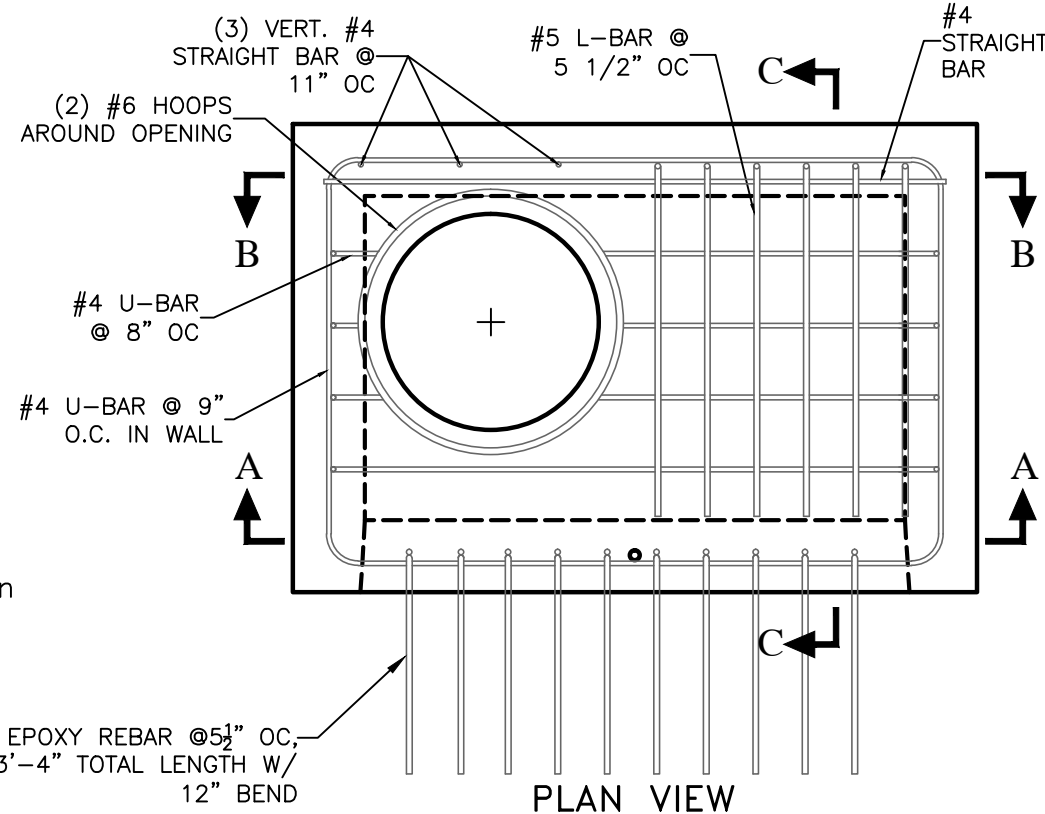
VERTICAL: #4 @ 8" O.C. 3" CLEAR OF INSIDE FACE OF WALL
 HORIZONTAL: #4 @ 9" O.C. ON OUTSIDE OF VERTICAL

tolerance :

reinforcement : edge clearance = +/- 3/8"
 spacing = +/- 1"

blockouts : QC to verify with engineering when blockouts float

AASHTO HS-20 w/impact
 concrete weight = 150 pcf
 (normal weight)
 concrete strength = 4,000 psi
 steel strength = 60,000 psi
 grade 60 A706



PLAN VIEW

CAST IRON NOT SHOWN FOR CLARITY

REINFORCEMENT FOR ADD'L PIECES

RISER WALLS:

VERTICAL #4 BARS @ 11" O.C. 3" OFF INSIDE FACE OF WALL.
 HORIZONTAL #4 @ 9" O.C. ON OUTSIDE OF VERTICAL

ADD'L #4 REBAR HOOP AROUND BLOCKOUTS 2" CLEAR OF EDGE.

BASE WALLS:

VERTICAL #4 U-BARS @ 6" O.C. 3" OFF INSIDE FACE OF WALL.
 HORIZONTAL #4 @ 9" O.C. ON OUTSIDE OF VERTICAL

FLOOR:

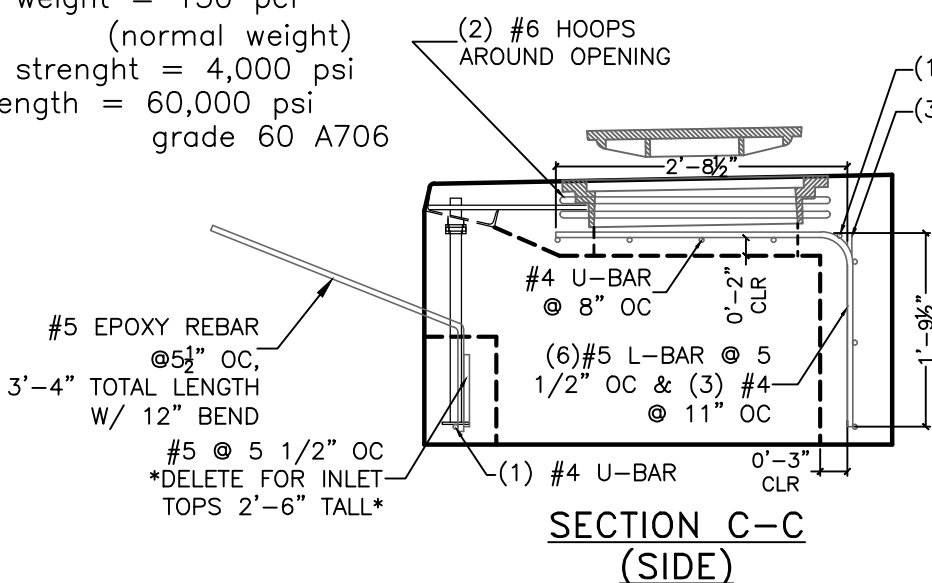
#4 U-BAR @ 6" O.C.E.W., LONG BARS 3" OFF BOTTOM OF FLOOR. SHORT BARS ABOVE LONG

ADD'L #4 REBAR HOOP AROUND BLOCKOUTS 2" CLEAR OF EDGE.

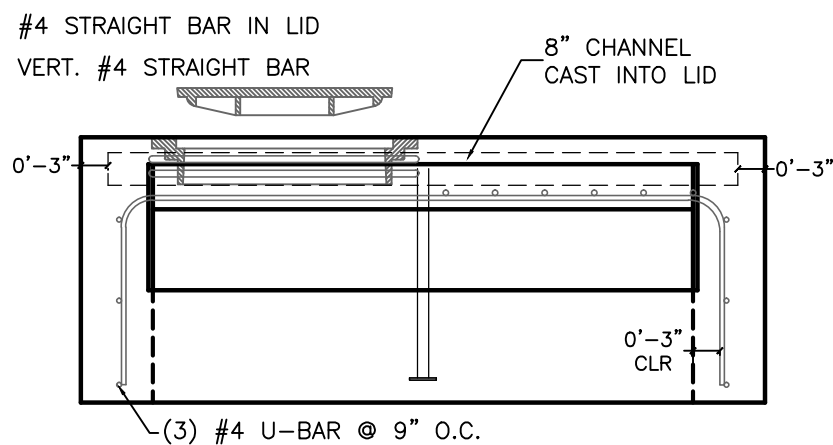
FLOOR ONLY: 2 MATS

UPPER: #4 @ 12" O.C.E.W. LONG BARS 2" OFF TOP OF FLOOR, SHORT BARS BELOW LONG BARS

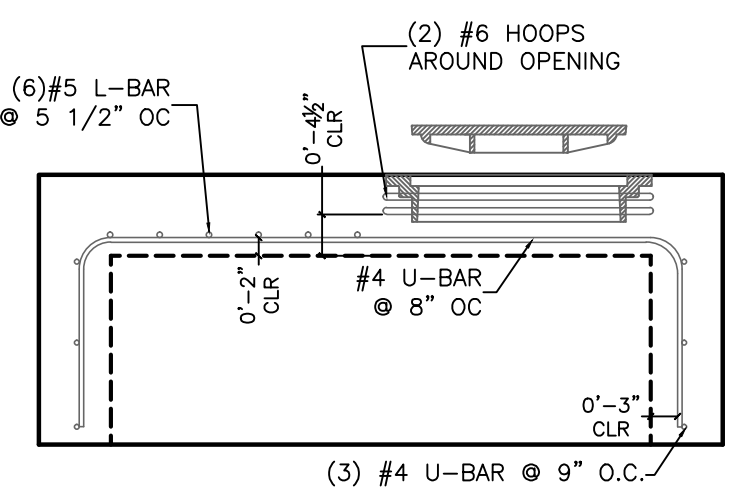
LOWER: #4 BAR @ 6" O.C.E.W., LONG BARS 3" OFF BOTTOM OF FLOOR. SHORT BARS ABOVE LONG



SECTION C-C (SIDE)



SECTION A-A (FRONT)



SECTION B-B (BACK)

TOP SECTION REINFORCEMENT DETAIL

NOTE:
 REINFORCEMENT DRAWING FOR REFERENCE ONLY! REFER TO OTHER DRAWINGS FOR B/O LOCATIONS AND/OR KEYWAY.

P:\cpcdrafting\CATALOG-DRAWINGS\CDOT STANDARDS\5 FT TYPE R-CDOT 8/7/2012 10:41 AM

ITEM NAME:



COLORADO PRECAST CONCRETE, Inc.

1820 E. HIGHWAY 402., LOVELAND, CO 80537
 (970) 669-0535 FAX (970) 669-0674

www.coloprecast.com

M-604-12
5' TYPE INLET - C.D.O.T.

THIS DOCUMENT IS THE PROPERTY OF COLORADO PRECAST CONCRETE, INC. (C.P.C.) AND IS TO BE USED FOR REFERENCE ONLY. IT SHALL NOT BE REPRODUCED IN ANY WAY HARMFUL TO THE INTERESTS OF C.P.C.