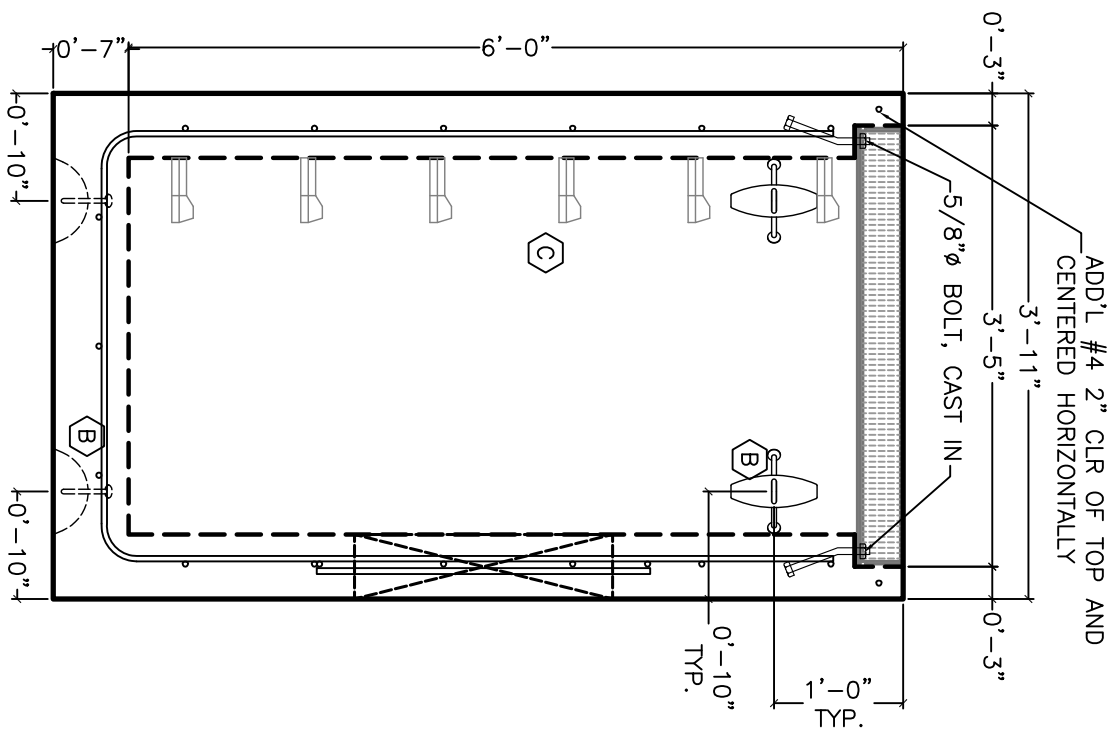


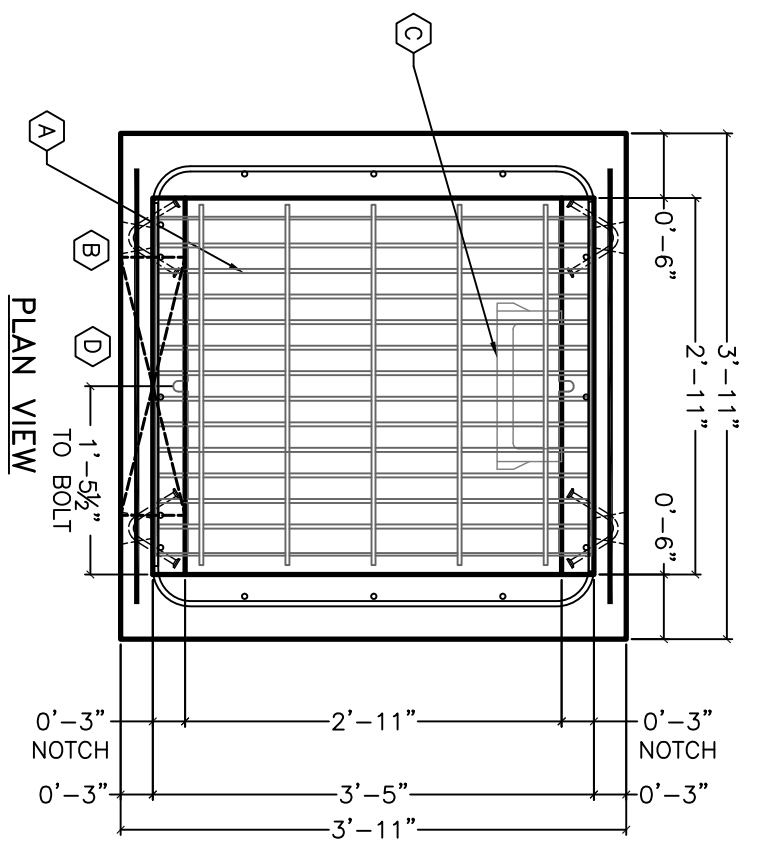
- (A) TYPE C CLOSED MESH INLET GRATE
- (B) 4TON UTILITY ANCHOR #6UA444 CAST INTO OUTSIDE FACE OF WALL FOR LIFTING OR BOTTOM OF FLOOR FOR STRIPPING
- (C) AMERICAN STEP CO ML-13-NCR STEPS @ 12" OC
- (D) 24"Ø BLOCKOUT FOR 18" HDPE CENTERED HORIZONTALLY IN WALL

REINFORCEMENT:
 WALLS:
 VERTICAL: #4 U-BARS @ 12" O.C., 2" OFF INSIDE FACE OF WALL.
 HORIZONTAL: #4 @ 12" O.C. ON OUTSIDE OF VERTICAL U-BARS.
 FLOOR:
 #4 U-BARS @ 12" O.C.E.W. 2" OFF TOP OF FLOOR.
 ALL CAGE BAR MIN 2" CLR OF EDGE
 ADD'L #4 HOOP AROUND OPENING AND ADD'L CAGE BAR 3" CLEAR OF BLOCKOUT EDGE.
 DENOTES ADD'L BAR (BAR SIZED TO MATCH SAME DIRECTION REBAR)

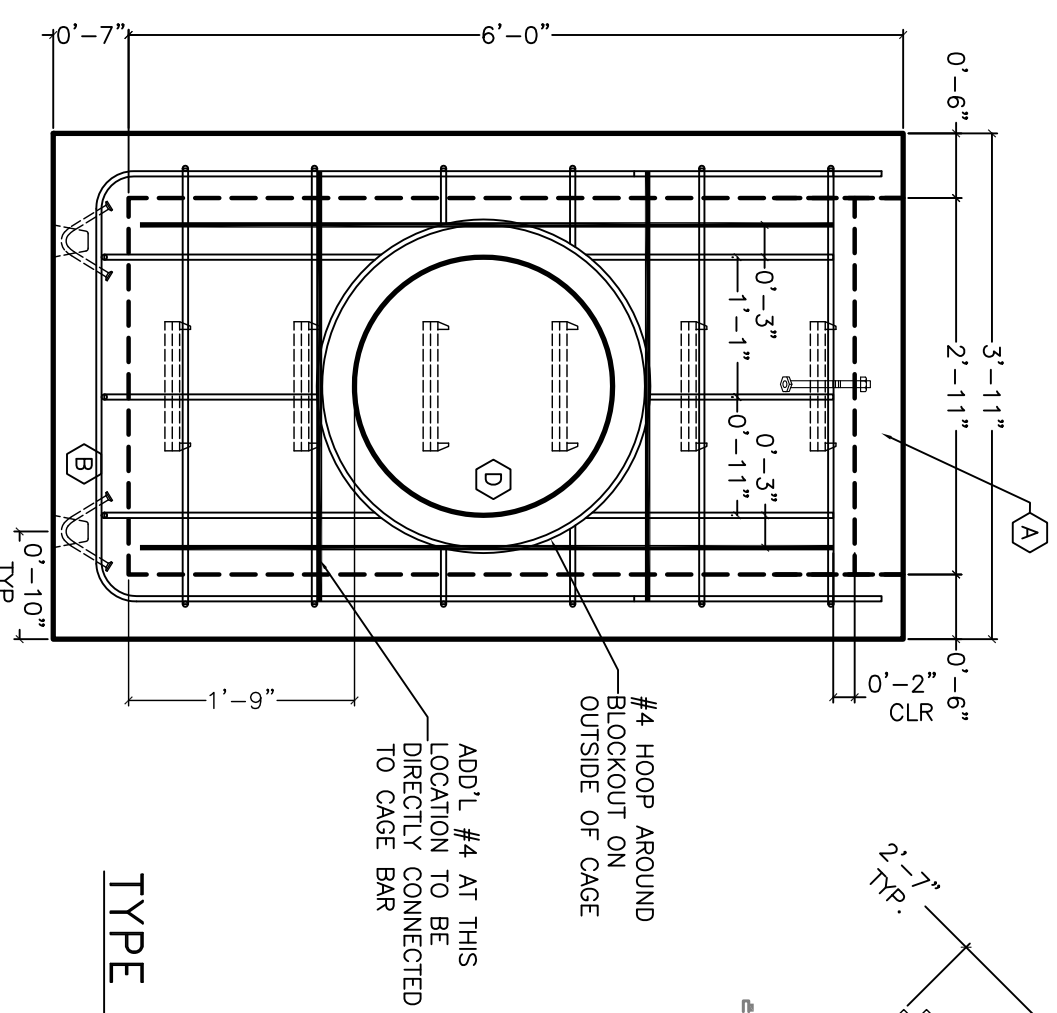


WEIGHT/CONCRETE
 6,577 LBS 1.63 CY

SIDE VIEW



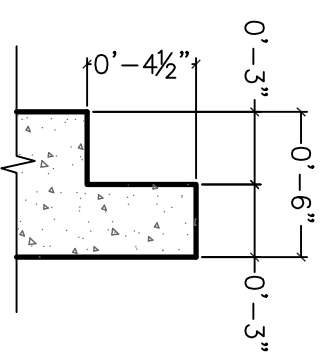
PLAN VIEW



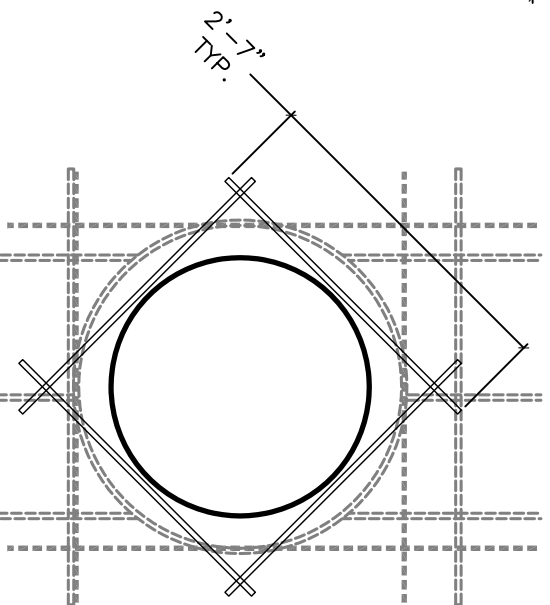
FRONT VIEW

#4 HOOP AROUND BLOCKOUT ON OUTSIDE OF CAGE
 ADD'L #4 AT THIS LOCATION TO BE DIRECTLY CONNECTED TO CAGE BAR

NOTCH DETAIL



FRAME BAR DETAIL



FRAME BAR IS OPTIONAL TO TIE IN BLOCKOUT AND IS TO BE A MIN. 1/2" CLR. CAN BE AS SHOWN OR W/ STRAIGHT PIECES TIED IN BY PRODUCTION. (TO BE CUT AND SUPPLIED BY REBAR)

TYPE C

PART NO.	DESCRIPTION	QTY.
INLETGCC	TYPE C CLOSED MESH GRATE	1
BOADS18	24"Ø BLOCKOUT FOR 18"Ø ADS	1
ANCHU4	4-TON UTILITY ANCHOR #6UA444	8
STEPPRILL	AMERICAN STEP ML-13-NCR STEPS	6

PRODUCTION	ISSUED
PLANT SUPER	
REBAR	
WELDING	
BLDG 2	
BLDG 3	
BLDG 4	
FAST PAD	
QC	
FORKLIFT	
DISPATCH	
CM	
DATE:	

ITEM NAME	BASE
POUR DATE	
SCHEDULED DATE	
REINFORCEMENT	DATE QC
MIX#	
LIFTS	
BLOCKOUTS	
GASKETS	
FORM OIL	
DIMENSIONS	
STEPS	
BLOCKOUTS	
GASKETS	
DIMENSIONS	
STEPS	
LIFTS	
BLOCKOUTS	
GASKETS	
COATING	
DIMENSIONS	
ANTICIP. SHIP DATE:	

ITEM NAME: **TYPE C INLET**

PROJECT NAME: **WELLINGTON 2 FILING 5**

CONTRACTOR NAME: **STAN MILLER INC.**

REVISION DATES:

PROJECT NO.:	SCALE:	DATE:	DRAWN:
12-2546	18:1	06/29/12	KAF
PAGE NO.:	PM:	INIT.:	DATE:
1 OF 1	KAF		



DESIGN PROPERTIES:

AASHTO HS-20
 CONCRETE STRENGTH =5,000PSI
 CONCRETE WEIGHT =150PCF NORMAL WEIGHT
 REBAR STRENGTH =60,000PSI GRADE 60 A706

TOLERANCE = +/- 3/8" EDGE CLEARANCE
 +/- 1" SPACING