

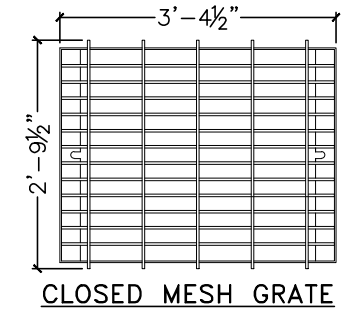
PLAN VIEW

WEIGHT/CONCRETE

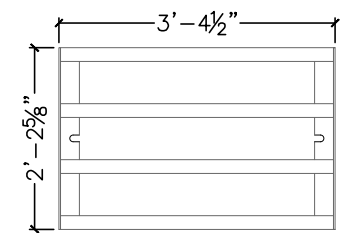
4' HIGH	7,634 LBS	1.89 CY
EA. ADDL. FT.	1,438 LBS	0.35 CY

- A** GALVANIZED CAST IRON STD. TYPE C GRATE OR CLOSED MESH GRATE (CLOSED MESH SHOWN)
- B** 5/8" BOLT FOR GRATE, CAST IN TO NOTCH
- C** 24"Ø BLOCKOUT FOR 18"Ø PVC (OTHER SIZES AVAILABLE)
- D** #6UA444 4-TON UTILITY ANCHOR, CAST INTO OUTSIDE FACE OF WALL
- E** AMERICAN STEP COMPANY ML-13-NCR STEPS @ 12" O.C. FOR INLETS GREATER THAN 3'-6" DEEP

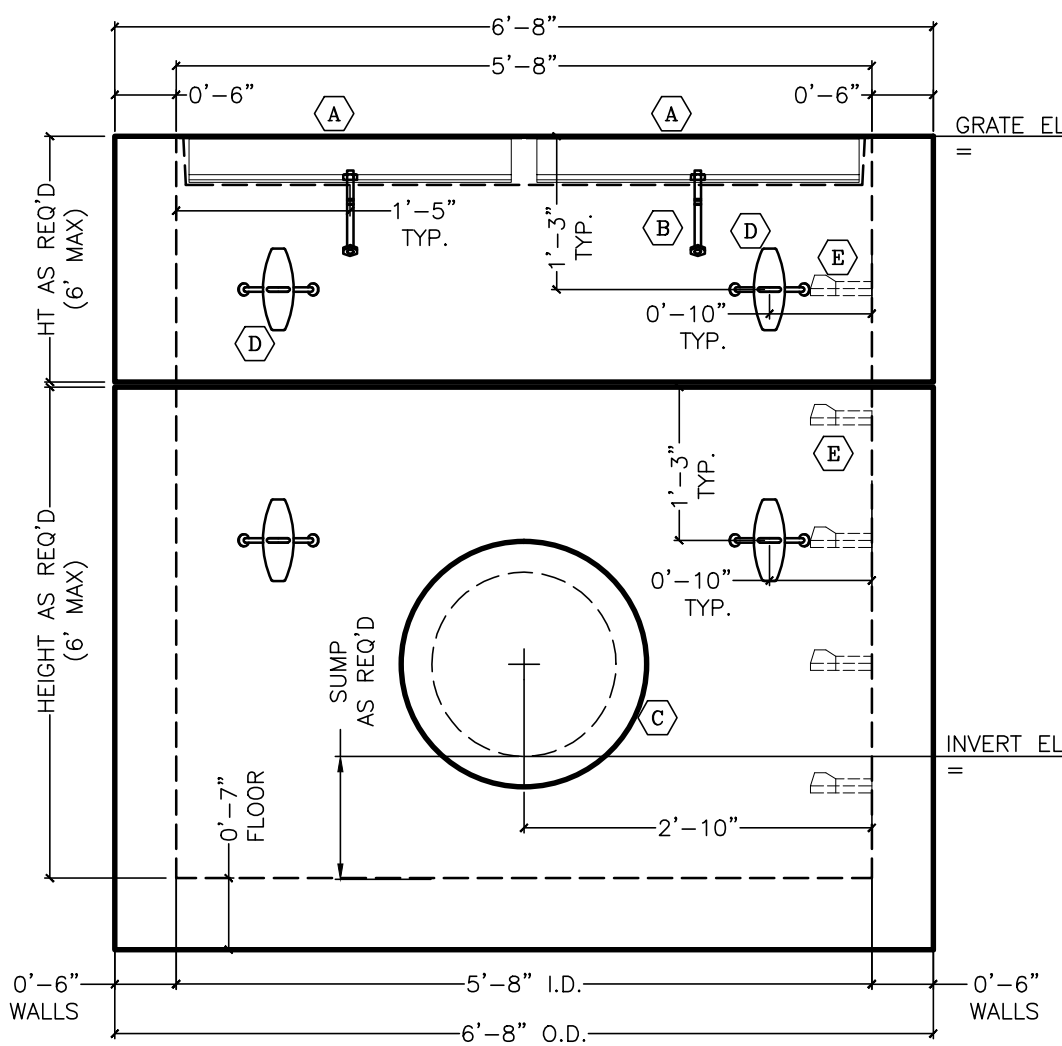
PART NO.	DESCRIPTION	QTY.
INLETCCG	TYPE C CLOSED MESH GRATE	2
INLETCG	TYPE C INLET GRATE / EXTENDED SLOT	2
ANCHU4	4-TON UTILITY ANCHOR #6UA444	8
STEPDRILL	AMERICAN STEP ML-13-NCR STEPS	5



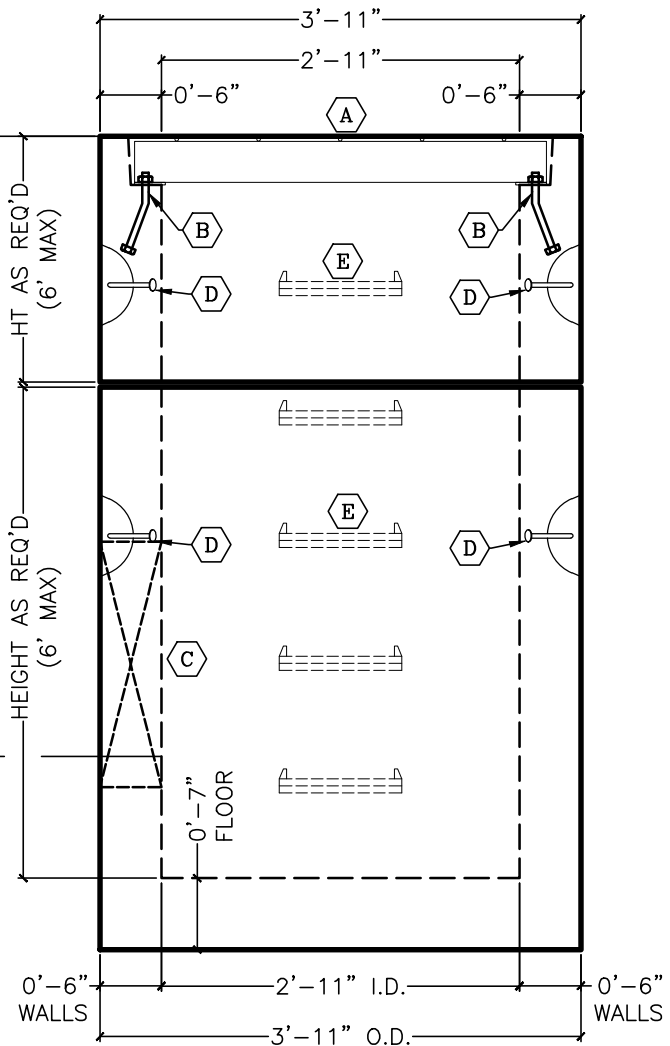
CLOSED MESH GRATE



STANDARD GRATE

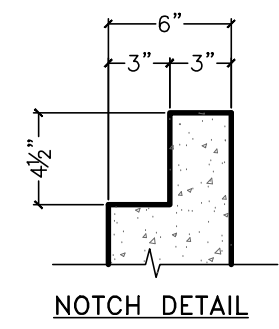


SIDE VIEW



END VIEW

REINFORCEMENT (EPOXY COATED):
WALLS:
 VERTICAL: #4 U-BAR @ 12" O.C., 2" OFF INSIDE WALL.
 HORIZONTAL: #4 REBAR @ 12" O.C. ON OUTSIDE OF VERTICAL U-BARS
 (1) ADD'L #4 LOOP 3" CLR OF BLOCKOUT MIN 13" LAP
FLOOR:
 #4 U-BAR @ 12" O.C.E.W., SHORT BAR TO BE 2" OFF TOP OF FLOOR



NOTCH DETAIL

AASHTO HS-20 W/IMPACT
 CONCRETE WEIGHT = 150 PCF (NORMAL WEIGHT)
 CONCRETE STRENGTH = 4,000 PSI
 STEEL STRENGTH = 60,000 PSI
 GRADE 60 A706

TOLERANCE :
 REINFORCEMENT : EDGE CLEARANCE = +/- 3/8"
 SPACING = +/- 1"
 BLOCKOUTS : QC TO VERIFY WITH ENGINEERING WHEN BLOCKOUTS FLOAT

NOTE:
 IT IS THE RESPONSIBILITY OF THE CONTRACTOR TO VERIFY ALL DIMENSIONS AND SPECIFICATIONS

APPROVED BY _____ DATE _____

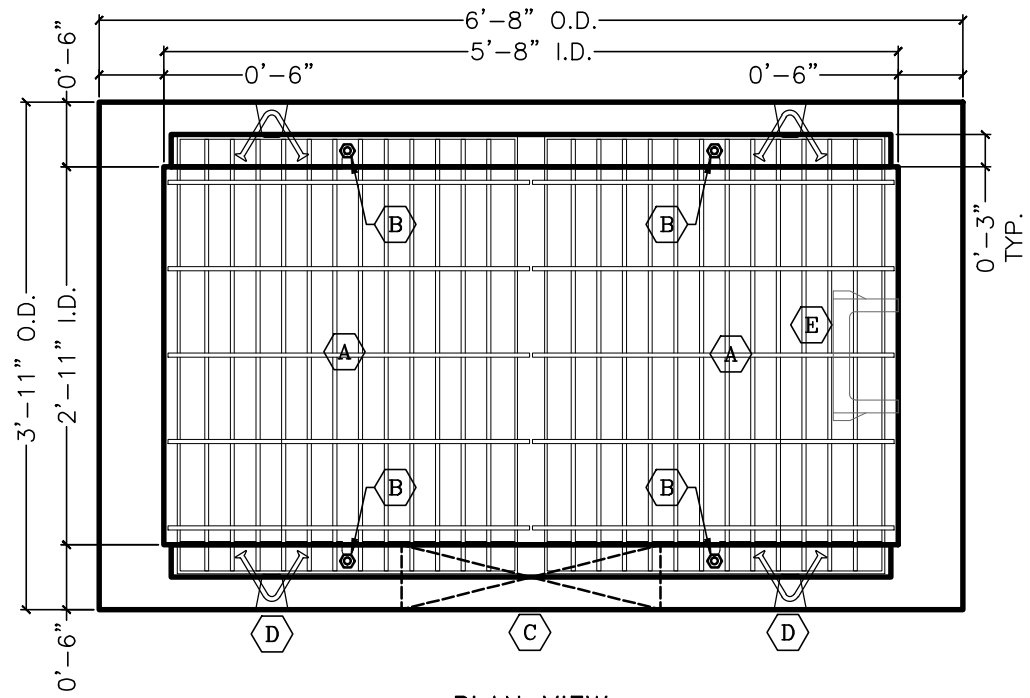
Q:\CATALOG-DRAWINGS\CDOT STANDARDS\TYPE D INLET 9/10/2012 1:19 PM

ITEM NAME:

M-604-11
 C.D.O.T. TYPE D INLET

COLORADO PRECAST CONCRETE, Inc.
 1820 E. HIGHWAY 402., LOVELAND, CO 80537
 (970) 669-0535 FAX (970) 669-0674
 www.coloprecast.com

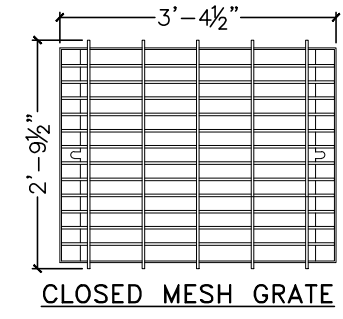
THIS DOCUMENT IS THE PROPERTY OF COLORADO PRECAST CONCRETE, INC. (C.P.C.) AND IS TO BE USED FOR REFERENCE ONLY. IT SHALL NOT BE REPRODUCED IN ANY WAY HARMFUL TO THE INTERESTS OF C.P.C.



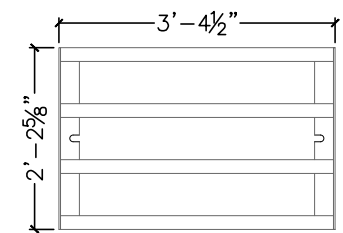
PLAN VIEW

- A GALVANIZED CAST IRON STD. TYPE C GRATE OR CLOSED MESH GRATE (CLOSED MESH SHOWN)
- B 5/8" BOLT FOR GRATE, CAST IN TO NOTCH
- C 24"Ø BLOCKOUT FOR 18"Ø PVC (OTHER SIZES AVAILABLE)
- D #6UA444 4-TON UTILITY ANCHOR, CAST INTO OUTSIDE FACE OF WALL
- E AMERICAN STEP COMPANY ML-13-NCR STEPS @ 12" O.C. FOR INLETS GREATER THAN 3'-6" DEEP

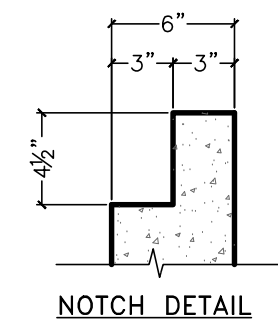
PART NO.	DESCRIPTION	QTY.
INLETCGC	TYPE C CLOSED MESH GRATE	2
INLETCG	TYPE C INLET GRATE / EXTENDED SLOT	2
ANCHU4	4-TON UTILITY ANCHOR #6UA444	4
STEPDRILL	AMERICAN STEP ML-13-NCR STEPS	4



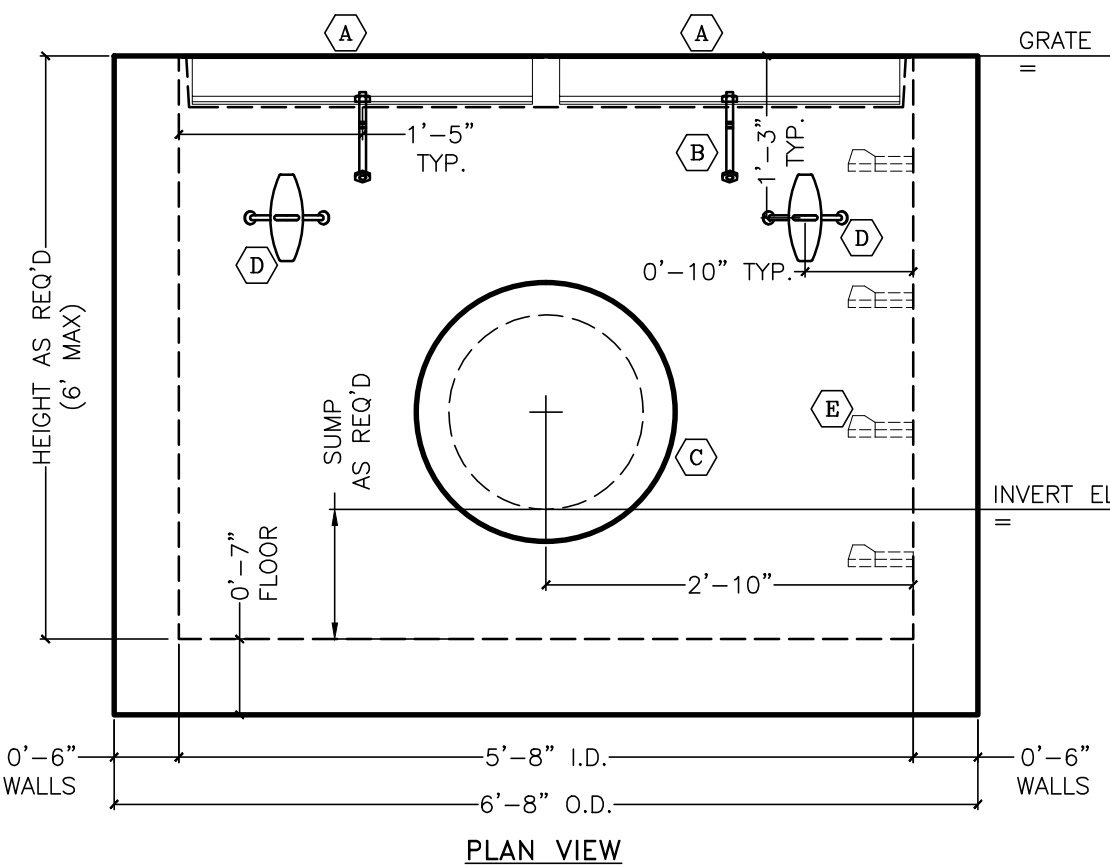
CLOSED MESH GRATE



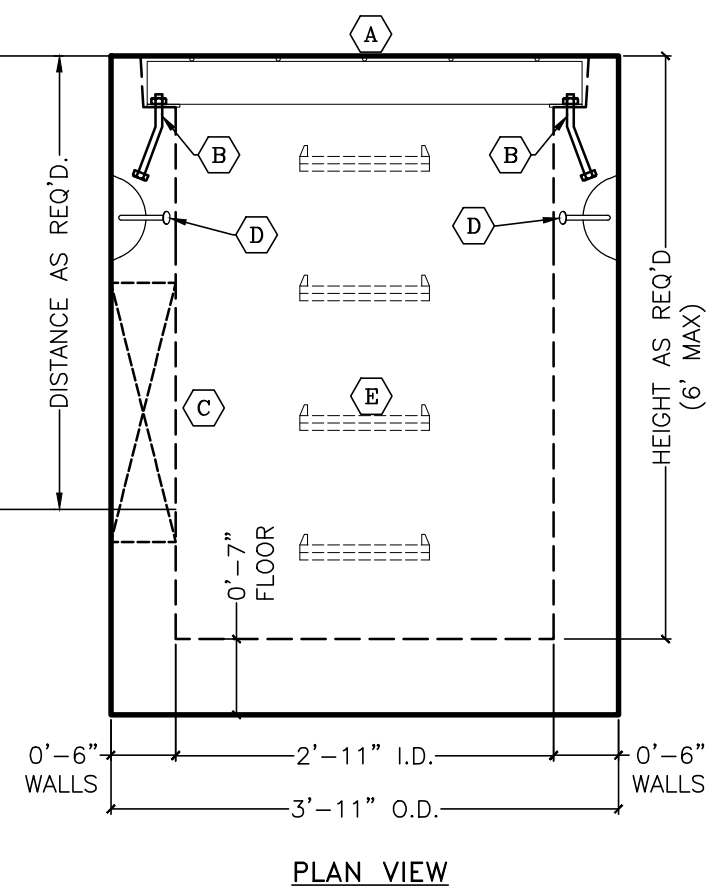
STANDARD GRATE



NOTCH DETAIL



PLAN VIEW



PLAN VIEW

AASHTO HS-20 W/IMPACT
 CONCRETE WEIGHT = 150 PCF
 (NORMAL WEIGHT)
 CONCRETE STRENGTH = 4,000 PSI
 STEEL STRENGTH = 60,000 PSI
 GRADE 60 A706

TOLERANCE :
 REINFORCEMENT : EDGE CLEARANCE
 = +/- 3/8"
 SPACING = +/- 1"
 BLOCKOUTS : QC TO VERIFY WITH
 ENGINEERING WHEN BLOCKOUTS
 FLOAT

REINFORCEMENT (EPOXY COATED):
 WALLS:
 VERTICAL: #4 U-BAR @ 12" O.C., 2" OFF INSIDE WALL.
 HORIZONTAL: #4 REBAR @ 12" O.C. ON OUTSIDE OF VERTICAL U-BARS
 (1) ADD'L #4 LOOP 3" CLR OF BLOCKOUT MIN 13" LAP
 FLOOR:
 #4 U-BAR @ 12" O.C.E.W., SHORT BAR TO BE 2" OFF TOP OF FLOOR

	WEIGHT/CONCRETE	
4' HIGH	7,634 LBS	1.89 CY
EA. ADDL. FT.	1,438 LBS	0.35 CY

NOTE:
 IT IS THE RESPONSIBILITY OF THE
 CONTRACTOR TO VERIFY ALL
 DIMENSIONS AND SPECIFICATIONS

APPROVED BY _____ DATE _____

Q:\CATALOG-DRAWINGS\CDOT STANDARDS\TYPE D INLET 9/10/2012 1:19 PM

COLORADO PRECAST CONCRETE, Inc.

1820 E. HIGHWAY 402., LOVELAND, CO 80537
 (970) 669-0535 FAX (970) 669-0674

www.coloprecast.com

ITEM NAME:

M-604-11
 C.D.O.T. TYPE D INLET

THIS DOCUMENT IS THE PROPERTY OF COLORADO PRECAST CONCRETE, INC. (C.P.C.) AND IS TO BE USED FOR REFERENCE ONLY. IT SHALL NOT BE REPRODUCED IN ANY WAY HARMFUL TO THE INTERESTS OF C.P.C.