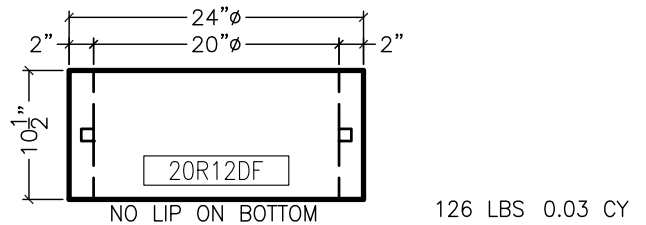
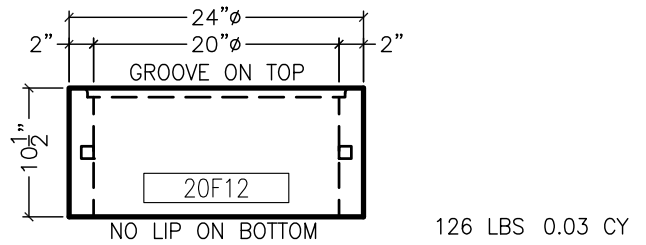
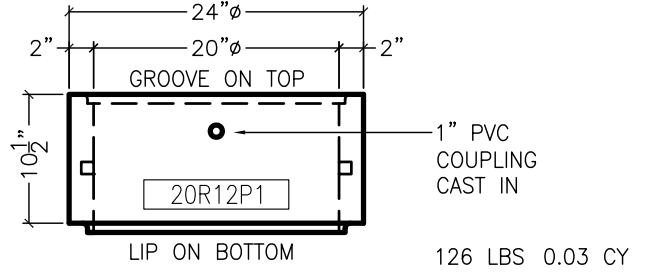
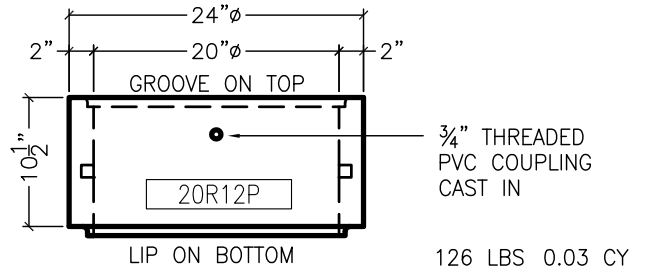


20R04	48 LBS	0.01 CY
20R06	72 LBS	0.02 CY
20R12	126 LBS	0.03 CY
20R18	216 LBS	0.05 CY
20R24	288 LBS	0.07 CY

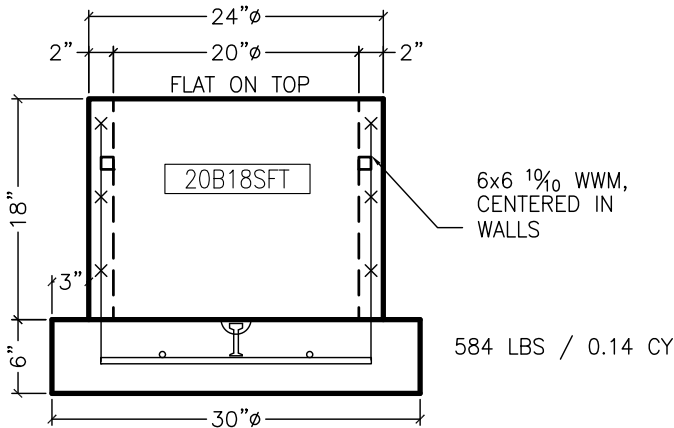
RISERS

6x6 1⁹/₁₀ WWM, CENTERED IN WALLS, TYP.

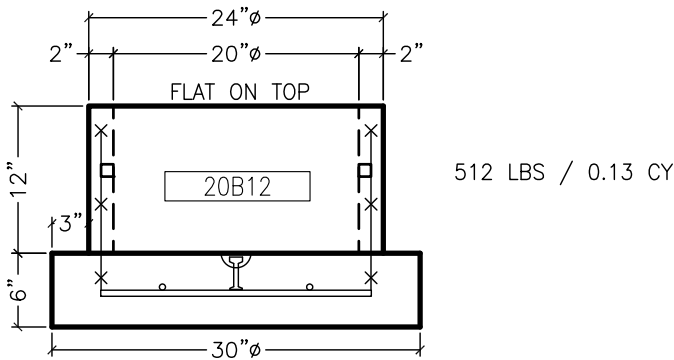
NO LIFTS IN RISER MATERIAL



RISERS

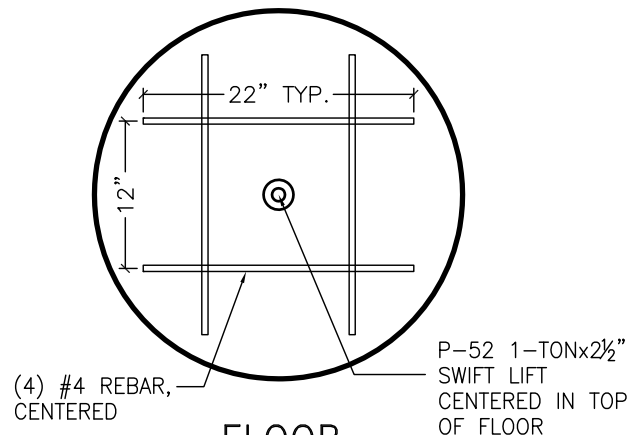


584 LBS / 0.14 CY



512 LBS / 0.13 CY

BASES



FLOOR REINFORCEMENT

03/07/12

COLORADO PRECAST CONCRETE, Inc.
 1820 E. HIGHWAY 402, LOVELAND, CO 80537
 (970) 669-0535 FAX (970) 669-0674
 www.coloprecast.com



ITEM NAME:

20"Ø MANHOLE COMPONENTS