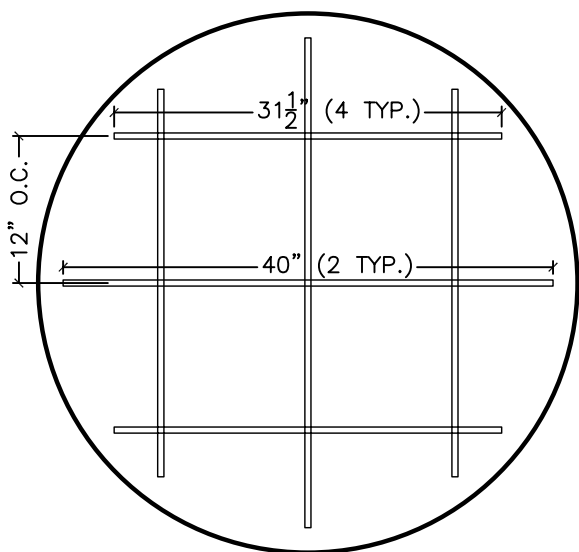
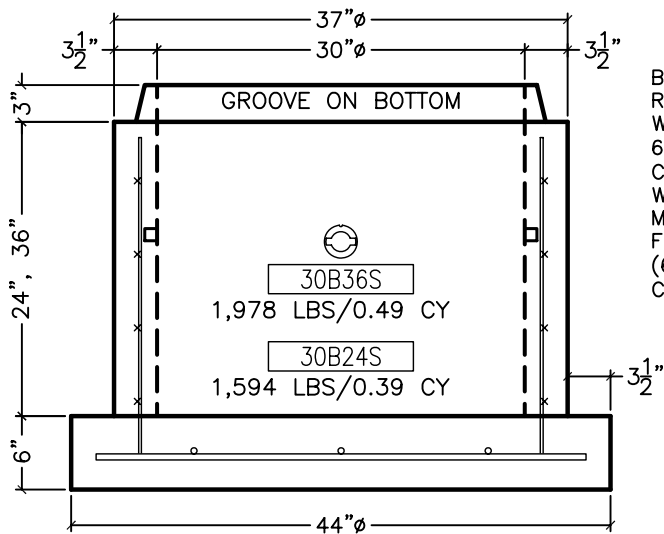


TOP VIEW

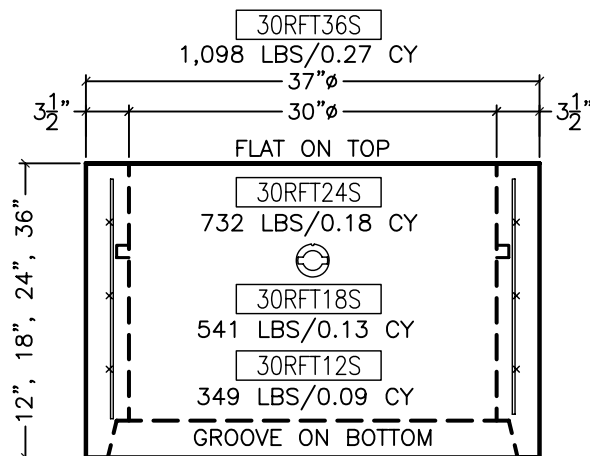


FLOOR REINFORCEMENT:
 (6) #4 REBAR @
 12" O.C.E.W.,
 CENTERED, 2"
 CLEAR OF EDGES

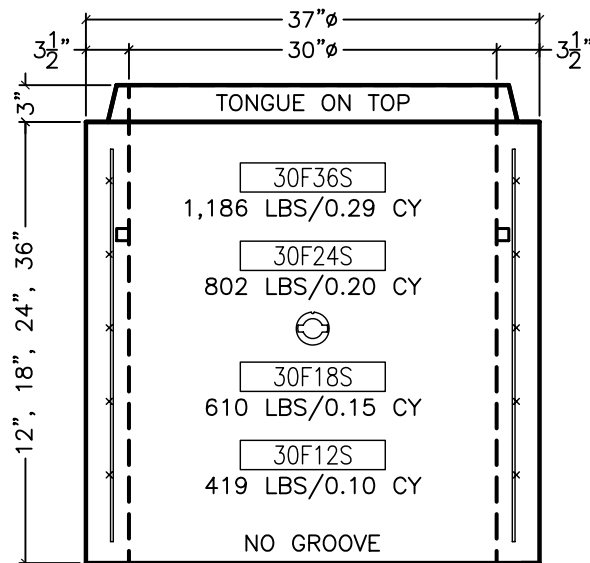


STANDARD BASE

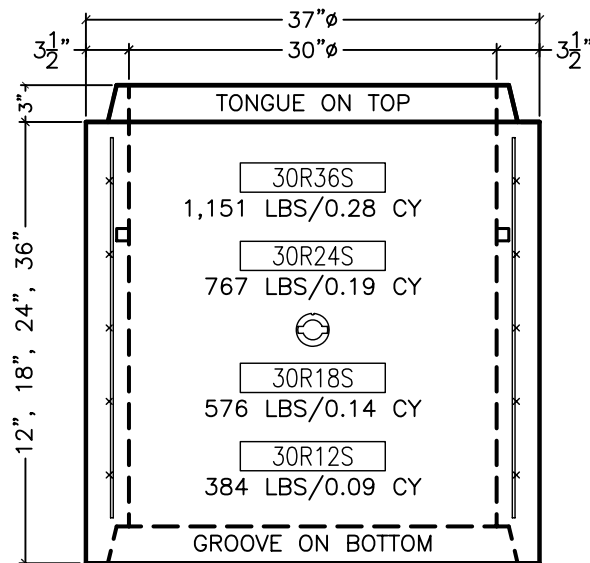
BASE REINFORCEMENT:
 WALLS:
 6x6 10/10 WWF
 CENTERED IN THE
 WALLS, EXTENDS TO
 MAT IN FLOOR
 FLOOR:
 (6) #4 REBAR,
 CENTERED



FLAT ON TOP RISER



FLAT RISER



STANDARD RISER

10/12/09

COLORADO PRECAST CONCRETE, Inc.

1820 E. HIGHWAY 402, LOVELAND, CO 80537

(970) 669-0535 FAX (970) 669-0674

www.coloprecast.com



ITEM NAME:

**30"Ø MANHOLE COMPONENTS
 WITH TITAN NUMBERS**