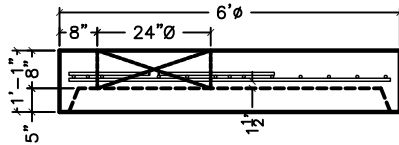
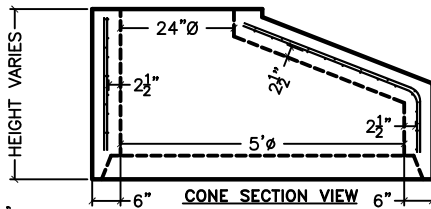


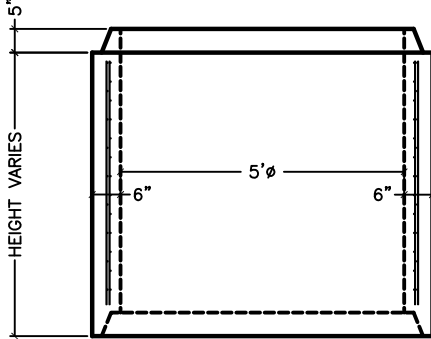
PLAN VIEW



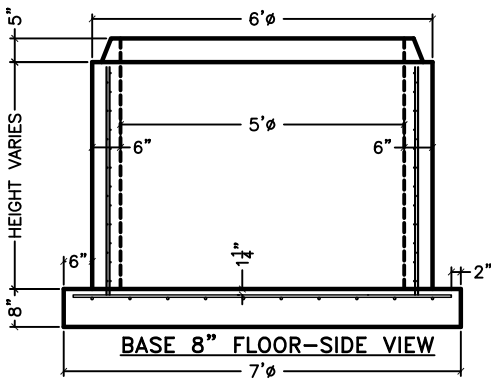
FLAT TOP SECTION VIEW



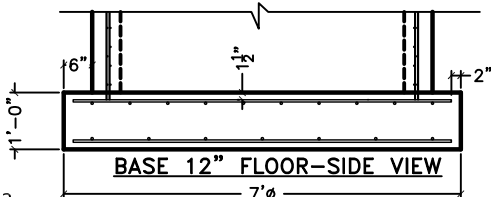
CONE SECTION VIEW



RISER SECTION VIEW



BASE 8" FLOOR-SIDE VIEW



BASE 12" FLOOR-SIDE VIEW

PER ASTM C478-12 SECTION 6.3 - NO ADDITIONAL REINFORCEMENT IS REQUIRED FOR BLOCKOUTS OR LIFT HOLES

ASTM C-478  
AASHTO HS-20 W/IMPACT  
UP TO 3' BURY ON FLAT TOP

8" THICK FLOOR FOR DEPTHS UP TO 18FT  
12" THICK FLOOR FOR DEPTHS FROM 18FT - 30 FT  
CONCRETE STRENGTH = 4,000 PSI  
CONCRETE WT = 150 PCF  
STEEL STRENGTH = 60,000 PSI  
GRADE 60 A706

FLAT TOP REINFORCEMENT:

#6 REBAR @ 6" O.C.E.W., 1 1/2" OFF BOTTOM, 2" CLR OF OPENING AND 2" CLR OF EDGE

(1) EXTRA #5 REBAR IN MAT EACH SIDE OF OPENING

(2) #5 DIAGONAL REBAR EACH SIDE OF OPENING, ABOVE MAT, 2" CLEAR OF OPENING

CONE/RISER REINFORCEMENT:

WALLS: (2 MATS)  
(1) 4X8 0.226/0.167 AND (1) 6x6 W2.9/W2.9 WWF CENTERED IN WALL

MAX OF 1/4" SPACING BETWEEN (2) MATS

TOLERANCE FOR LOCATION OF REINFORCEMENT IS MIDDLE 1/3 OF THE WALL PER ASTM C478-12

BASE REINFORCEMENT:

WALLS: (2 MATS)  
(1) 4X8 0.226/0.167 AND (1) 6x6 W2.9/W2.9 WWF CENTERED IN WALL

8" THICK FLOOR:

#5 REBAR @ 10" O.C.E.W., 1 1/4" OFF TOP OF FLOOR, 2" CLR OF EDGE

12" THICK FLOOR:

UPPER MAT  
#4 REBAR @ 8" O.C.E.W., 1 1/2" OFF TOP OF FLOOR, 2" CLR OF EDGE  
LOWER MAT  
#4 REBAR @ 12" O.C.E.W., 1 1/2" OFF BOTTOM OF FLOOR, 2" CLR OF EDGE

02/06/2012

COLORADO PRECAST CONCRETE, Inc.  
1820 E. HIGHWAY 402, LOVELAND, CO 80537  
(970) 669-0535 FAX (970) 669-0674  
www.coloprecast.com



ITEM NAME:

5'Ø MANHOLE  
REINFORCEMENT