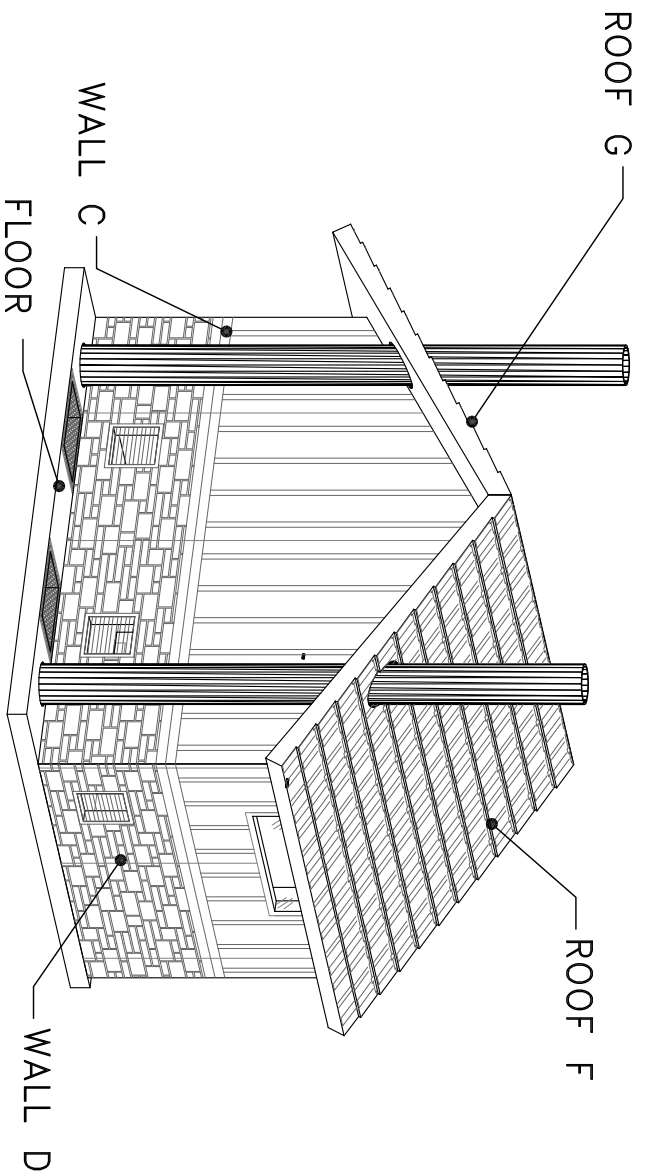
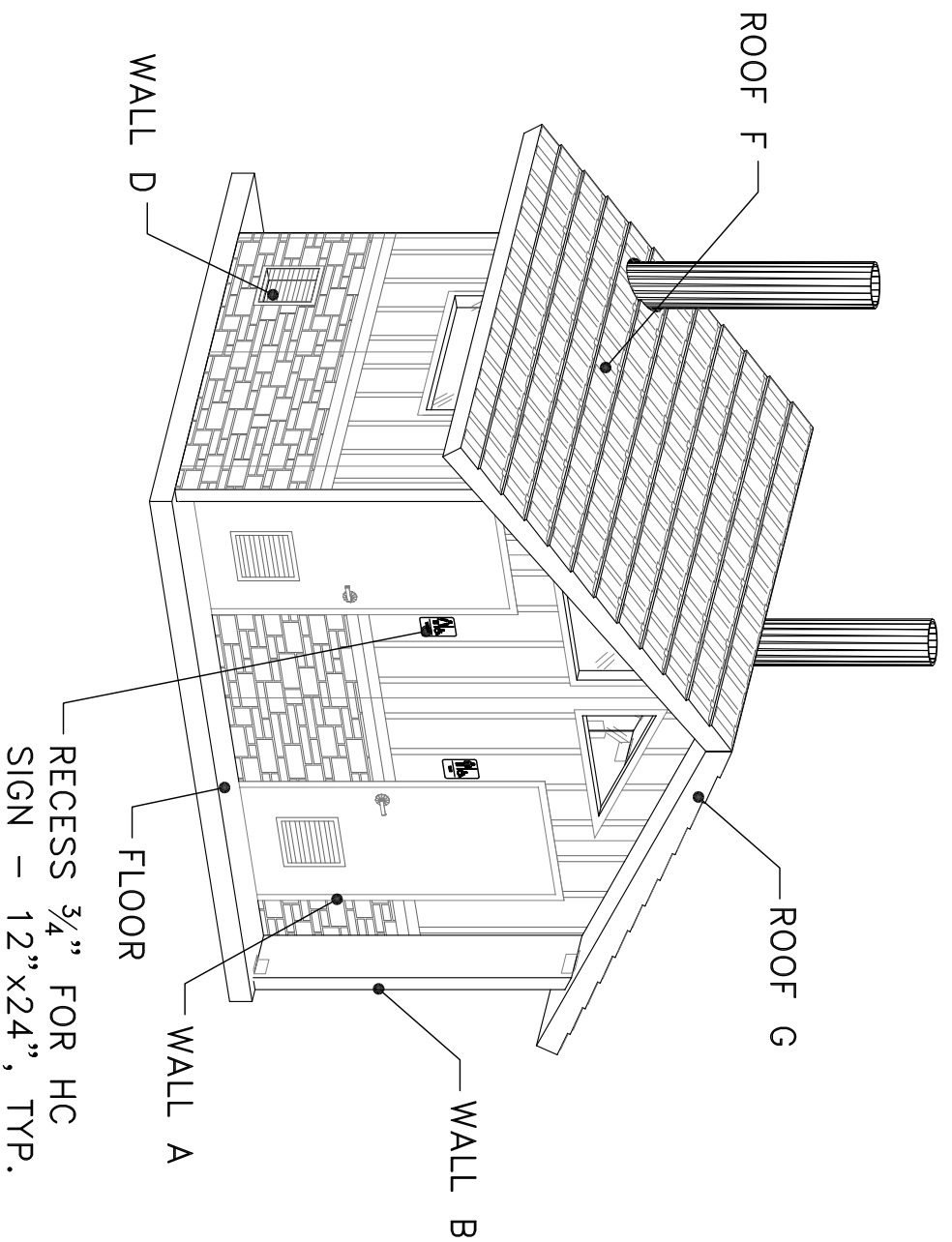


PROJECT: REDCLOUD PEAK ADA DOUBLE RESTROOM



DESIGN PROPERTIES:

CONCRETE STRENGTH: 6,000 psi MIN.
 REBAR STRENGTH: 60,000 psi GRADE 60
 CONCRETE WEIGHT: 150 pcf
 STEEL STRENGTH: 36,000 psi
 WELDS: MIN 4" LONG $\frac{3}{8}$ " FILLET WELD

DESIGN LOADS:

OCCUPANCY CATEGORY III
 WIND LOAD: 110 mph EXP. C (3 SEC GUST)
 KZT = 1.0
 ROOF SNOW LOAD: 350 psf
 FLOOR LIVE LOAD: 400 psf

DESIGN MANUALS:

IBC 2012
 ACI 318-11
 AISC LRFD 13th ED.
 ASCE 7-10

NOTES:

1. BUILDING TO CONSIST OF A FLOOR, 5 WALL PANELS AND 2 ROOF PANELS.
2. BUILDING TO BE ERRECTED AT COLORADO PRECAST CONCRETE AND DELIVERED AS COMPLETE UNIT.
3. COLOR: STANDARD GREY CONCRETE WITH DAVIS COLORS, COLORANT PER APPROVED SAMPLES.
4. EXTERIOR FINISH OF WALLS: DRYSTACK STONE PATTERN LINER AT BASE / BOARD & BATON LINER ABOVE WITH EXTERIOR STAIN AND GRAFFITI GUARD SEALER.
5. FLOOR TO BE STANDARD GREY CONCRETE WITH DAVIS COLORING AND GREY EPOXY COATING.
6. EXTERIOR FINISH OF ROOF: SIMULATED WOOD SHINGLE FORM LINER FINISH.
7. INTERIOR FINISH: SMOOTH FINISH/WALLS AND CEILING STAINED WHITE, FLOOR EPOXY GREY.
8. MAXIMUM CAPACITY OF EACH HALF OF VAULT: 1,718 GALLONS, TOTAL CAPACITY: 3,436 GALLONS.

BUILDING	WEIGHT LBS EACH	C.Y. EACH
WALL A	3,790	0.94
WALL B	2,823	0.70
WALL C	6,018	1.49
WALL D	2,823	0.70
WALL E	3,792	0.92
ROOF F	8,356	2.06
ROOF G	8,356	2.06
FLOOR	11,207	2.77
TOTAL	47,165	11.64

VAULT	WEIGHT LBS EACH	C.Y. EACH
VAULT WALLS	9,188	2.27
VAULT FLOOR	12,721	3.14
TOTAL	21,909	5.41

ITEM NAME: REDCLOUD PEAK A.D.A. DOUBLE RESTROOM

PROJECT NAME:

CONTRACTOR NAME:

REVISION DATES:

PROJECT NO.: SCALE: DATE: DRAWN:

PAGE NO.: PM: INIT.: DATE:



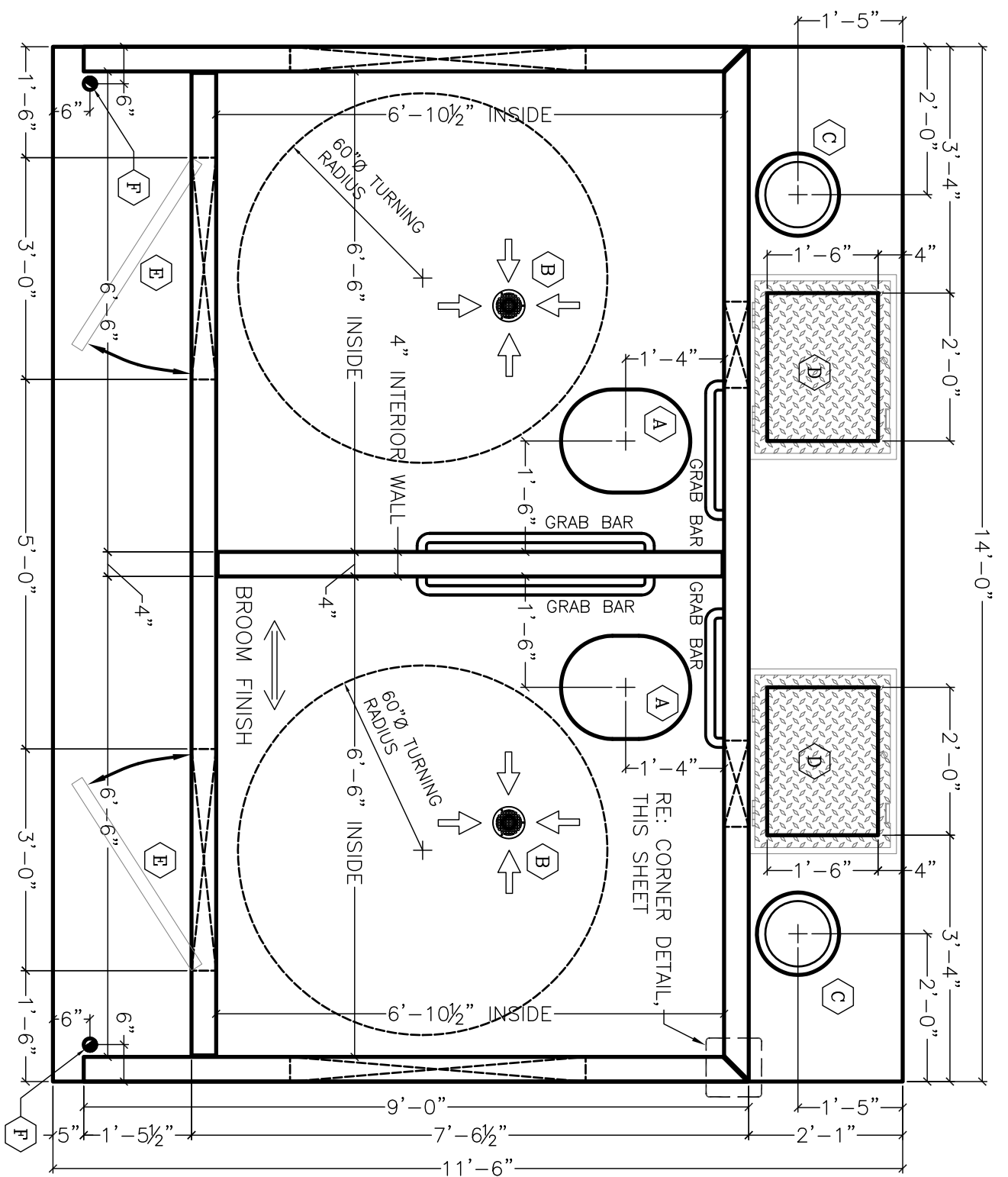
COLORADO PRECAST CONCRETE, Inc.

1820 E. HIGHWAY 402, LOVELAND, CO 80537

(970) 669-0535 Fax (970) 669-0674

www.coloprecast.com

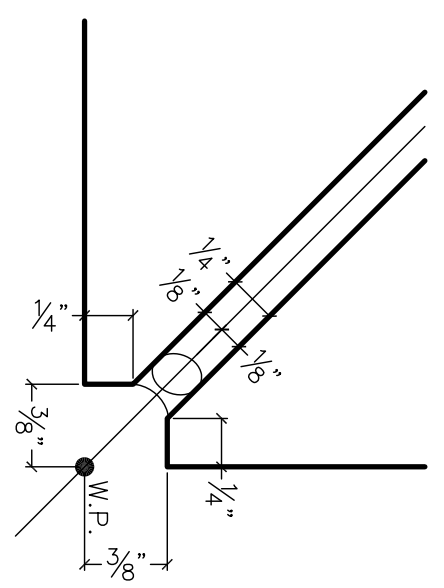




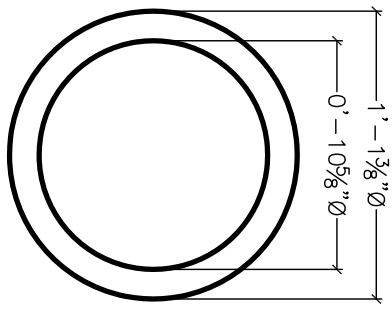
FLOOR PLAN

- A** BLOCKOUT FOR TOILET RISER
- B** ZURN DRAIN CAST INTO FLOOR
- C** BLOCKOUT FOR 12" BLACK PVC VENT PIPE, SEE DETAIL THIS SHEET
- D** HATCH DOOR WITH 24"x18" OPENING
- E** 3'-0"x6'-8" STEEL DOOR
- F** FLOOR STOP

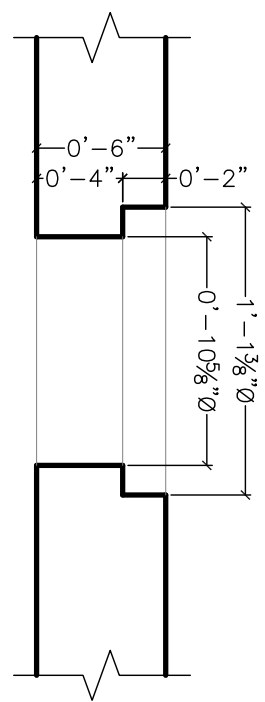
- NOTES:**
1. TOP OF FLOOR TO HAVE A SMOOTH FINISH.
 2. FLOOR TO SLOPE AT 1/8" PER FOOT MIN TOWARDS DRAIN IN AREA INSIDE OF WALLS.



CORNER DETAIL



VENT B.O. DETAIL



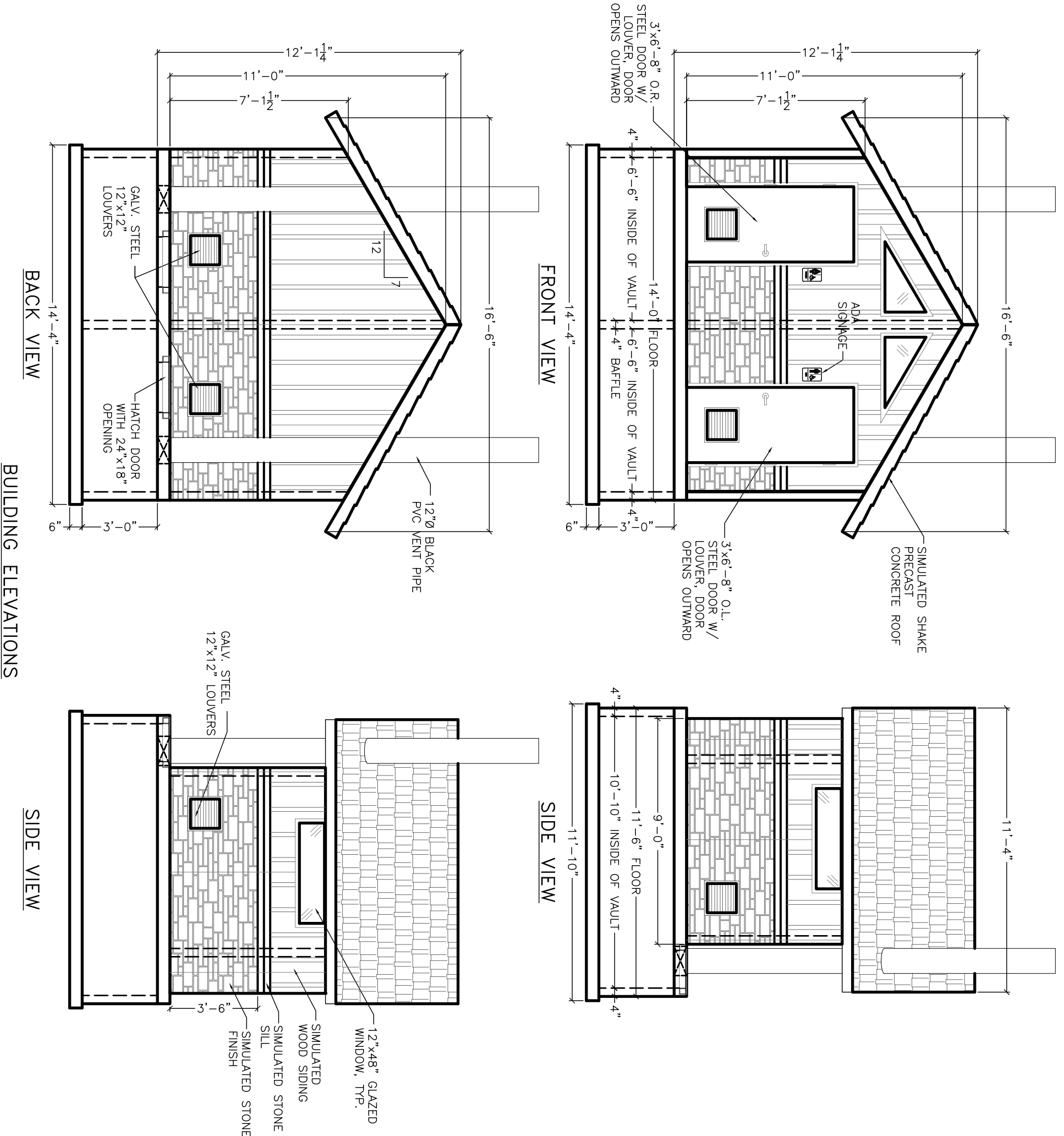
SECTION

ITEM NAME: REDCLOUD PEAK A.D.A. DOUBLE R.R. - FLOOR LAYOUT			
PROJECT NAME:			
CONTRACTOR NAME:		REVISION DATES:	
PROJECT NO.:	SCALE:	DATE:	DRAWN:
PAGE NO.:	PM:	INIT.:	DATE:
2 OF 5			



COLORADO PRECAST CONCRETE, Inc.
 1820 E. HIGHWAY 402, LOVELAND, CO 80537
 (970) 669-0535 Fax (970) 669-0674
www.coloprecast.com



BUILDING ELEVATIONS

SIDE VIEW

- NOTES:
1. BUILDING TO BE CONSIST OF FLOOR, 5 WALL PANELS AND 2 ROOF PANELS.
 2. BUILDING TO BE ERRECTED AT COLORADO PRECAST AND DELIVERED AS COMPLETE UNIT.
 3. COLOR: STANDARD GREY CONCRETE WITH DAVIS COLORS COLORANT PER APPROVED SAMPLE.
 4. EXTERIOR FINISH OF WALLS: SIMULATED WOOD/ROCK FORM LINER FINISH WITH EXTERIOR STAIN.
 5. FLOOR TO BE STANDARD GREY CONCRETE WITH GREY EPOXY COATING.
 6. EXTERIOR FINISH OF ROOF: SIMULATED WOOD SHINGLE FORM LINER FINISH.
 7. INTERIOR FINISH: SMOOTH FINISH/STAINED WHITE.
 8. MAXIMUM CAPACITY OF EACH HALF OF VAULT: 1,314 GALLONS, TOTAL CAPACITY: 2,628 GALLONS.

ITEM NAME: REDCLOUD PEAK A.D.A. DOUBLE R.R. - EXT.ELEV.			
PROJECT NAME:			
CONTRACTOR NAME:		REVISION DATES:	
PROJECT NO.:	SCALE:	DATE:	DRAWN:
PAGE NO.:	PM:	INIT.:	DATE:
3 OF 5			

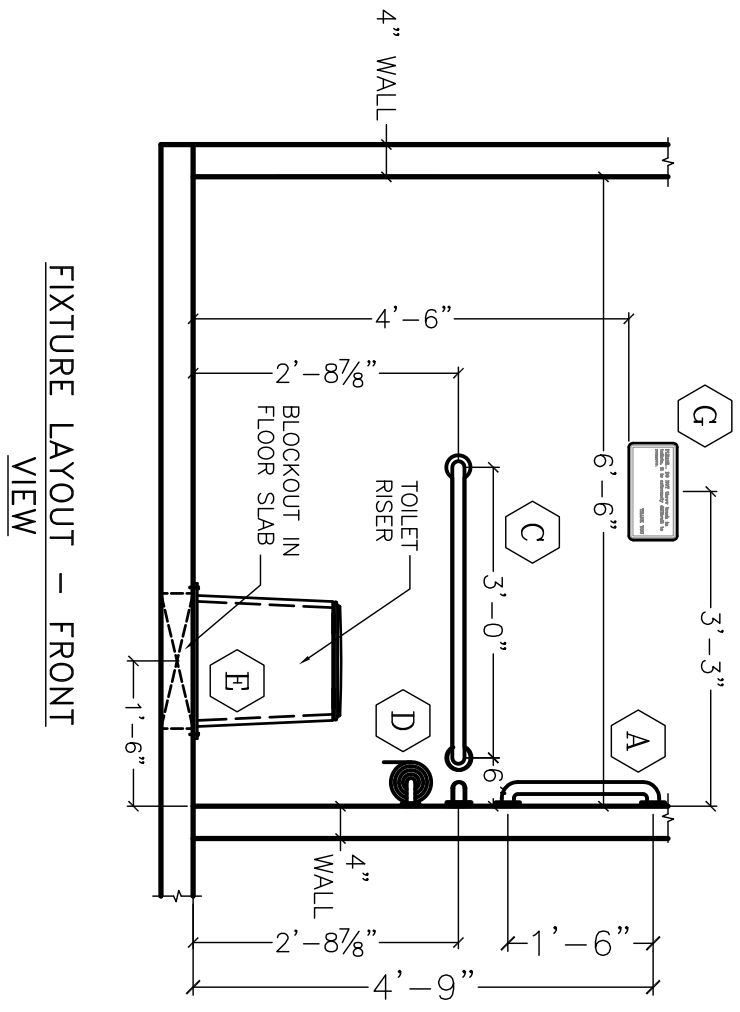


COLORADO PRECAST CONCRETE, Inc.

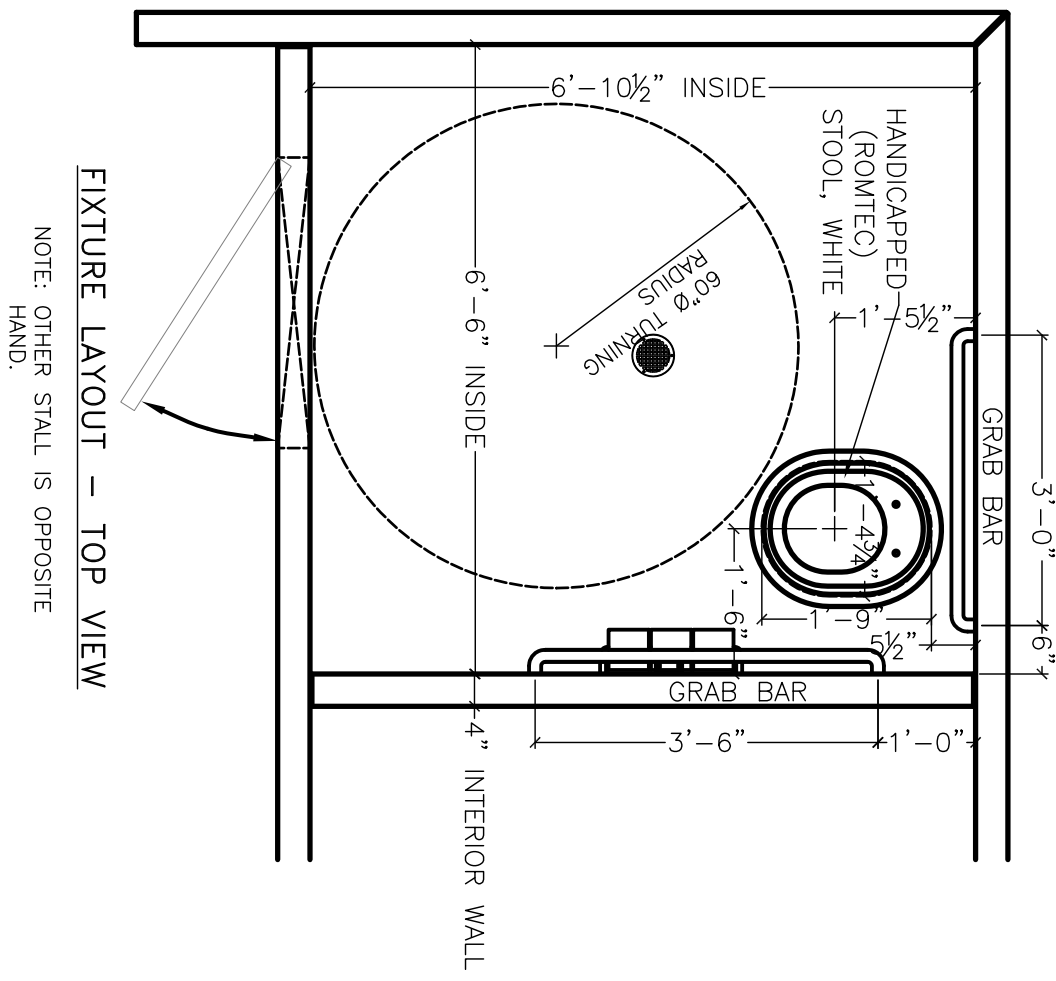
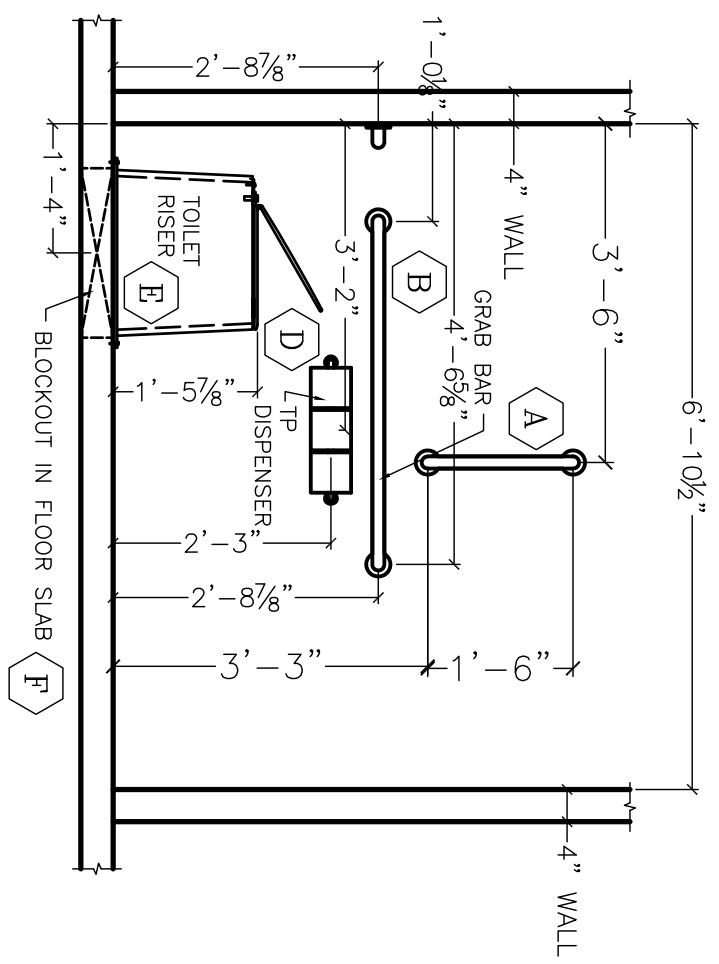
1820 E. HIGHWAY 402, LOVELAND, CO 80537
 (970) 669-0535 Fax (970) 669-0674

www.coloprecast.com





FIXTURE LAYOUT - SIDE VIEW



NOTE: OTHER STALL IS OPPOSITE HAND.

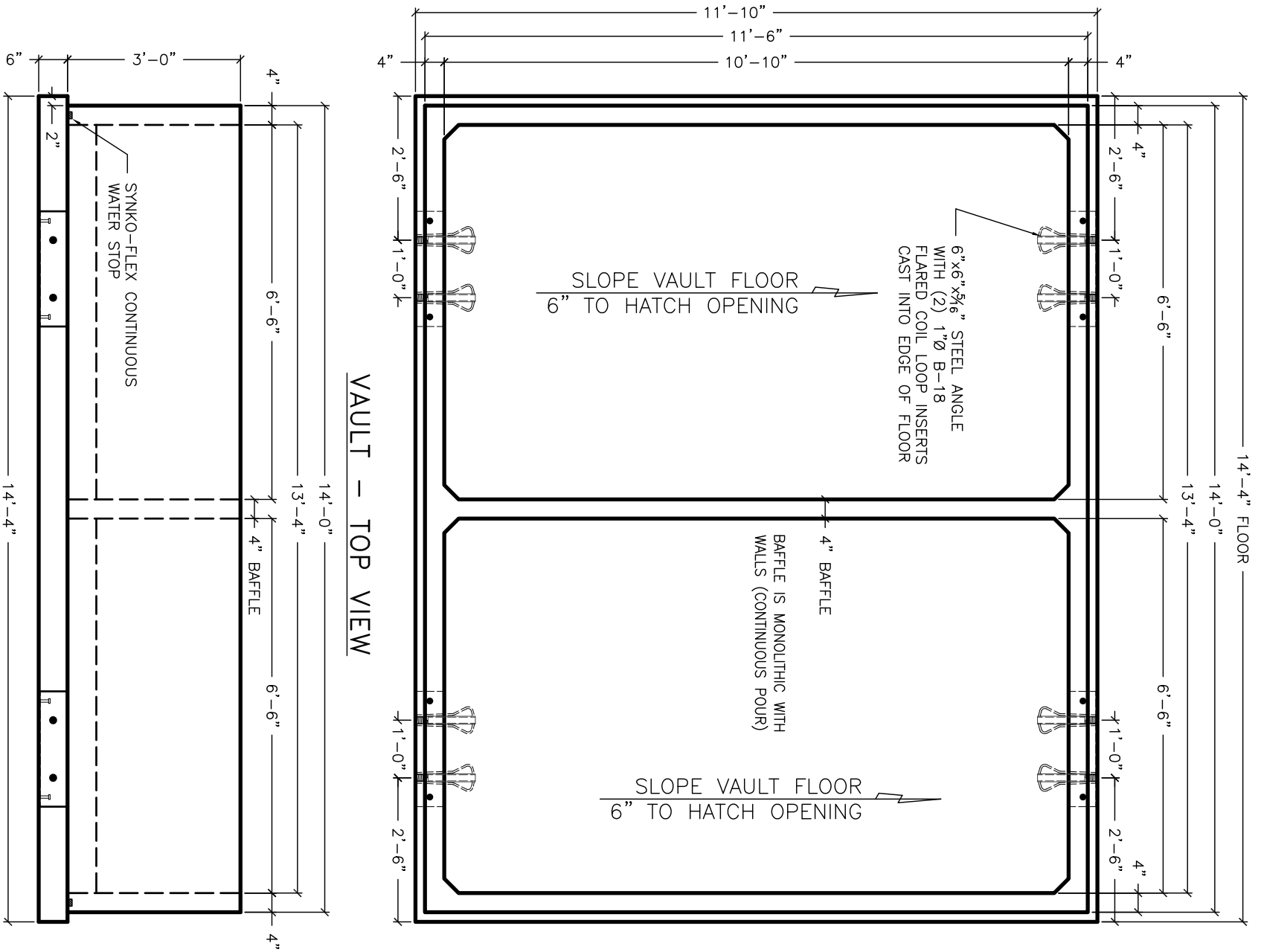
- A** 18" GRAB BAR
- B** 42" GRAB BAR
- C** 36" GRAB BAR
- D** 3 ROLL TOILET PAPER DISPENSER
- E** TOILET RISER
- F** 17"x21" ELLIPTICAL BLOCKOUT IN FLOOR SLAB
- G** TRASH SIGN (RECESSED), SEE DETAIL ON PAGE 21

ITEM NAME: REDCLOUD PEAK A.D.A. DOUBLE R.R. - FIXTURE LAYOUT			
PROJECT NAME:			
CONTRACTOR NAME:		REVISION DATES:	
PROJECT NO.:	SCALE:	DATE:	DRAWN:
PAGE NO.:	PM:	INIT.:	DATE:
4 OF 5			



COLORADO PRECAST CONCRETE, Inc.
 1820 E. HIGHWAY 402, LOVELAND, CO 80537
 (970) 669-0535 Fax (970) 669-0674
 www.coloprecast.com





PLEASE NOTE:
AN ADDITIONAL 18" CLEAR AROUND
VAULT BASE AT LIFT LOCATIONS WILL
BE REQUIRED TO SET VAULT.

REINFORCEMENT:

WALLS:
VERTICAL: #4 U-BARS @ 12" O.C. 1 1/2" OFF
OUTSIDE FACE OF WALLS. EXTEND DOWN
INTO FLOOR.
HORIZONTAL: #4 REBAR @ 12" O.C. ON
OUTSIDE OF VERTICAL.

FLOOR:
SHORT BARS: #4 U-BARS @ 12" O.C. 2"
OFF TOP OF FLOOR.
LONG BARS: #4 U-BARS @ 12" O.C. BELOW
SHORT. EXTEND U-BARS UP INTO WALLS.

BAFFLE:
VERTICAL: #4 L-BARS @ 12" O.C. EXTEND
DOWN INTO FLOOR W/ MIN. 12" HOOK
BELOW FLOOR CAGE. CENTERED IN BAFFLE.
HORIZONTAL: #4 REBAR @ 12" O.C.

NOTES:

1. INTERIOR FACE OF VAULT WALLS AND
BAFFLE TO HAVE OMNIK-LINER COATING
2. USE SPREADER BARS WHEN
LIFTING/MOVING VAULT
3. MAXIMUM CAPACITY OF EACH SIDE: 1,314
GALLONS
4. TOTAL CAPACITY: 2,628 GALLONS

VAULT WEIGHT/CONCRETE

WALLS & BAFFLE	9,188 LBS	2.27 CY
FLOOR	12,721 LBS	3.14 CY
TOTAL	21,909 LBS	5.41 CY

ITEM NAME:
REDCLOUD PEAK A.D.A. DOUBLE R.R. - VAULT

PROJECT NAME:

CONTRACTOR NAME:

REVISION DATES:

PROJECT NO.: SCALE: DATE: DRAWN:

PAGE NO.: PM: INIT.: DATE:

5 OF 5



COLORADO PRECAST CONCRETE, Inc.

1820 E. HIGHWAY 402, LOVELAND, CO 80537

(970) 669-0535 Fax (970) 669-0674

www.coloprecast.com

